



Daniel Smith Industries Ltd

315 Flaxton Road, Rangiora, 7400

Canterbury, New Zealand.

Phone: 0064 (0) 3 313 9902

Fax: 0064 (0) 3 313 9904

Mobile 0064 (0) 21 33 66 23

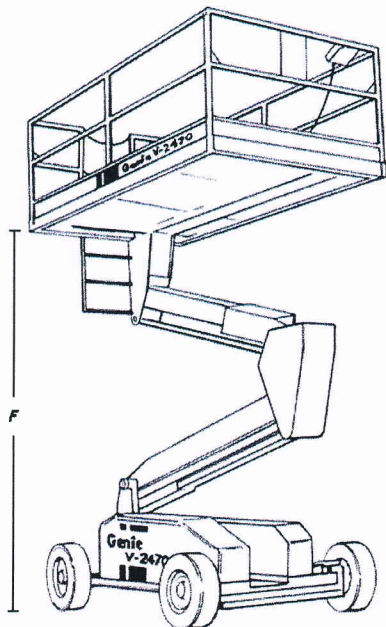
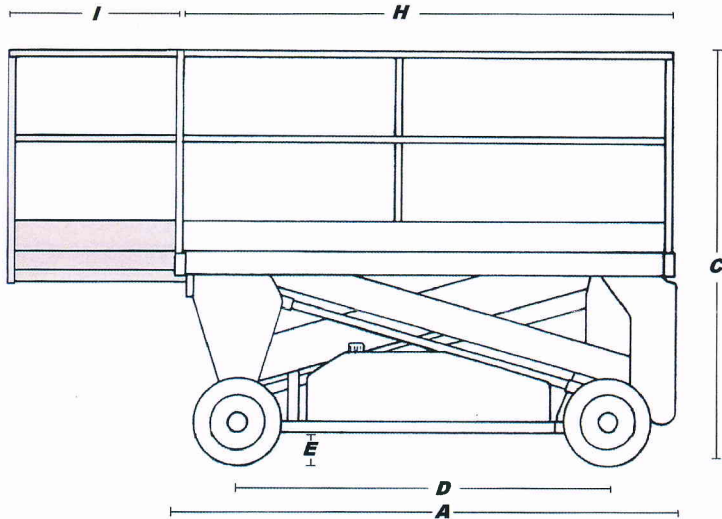
Email: daniel@danielsmith.co.nz

Website: www.danielsmithindustries.co.nz



V24-70

Elevated Work Platform



DIMENSIONS

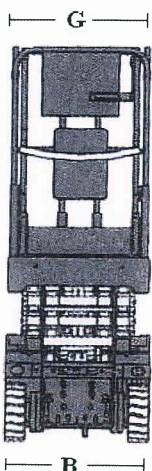
- A. Overall Length: 3,350 mm
- B. Overall Width: 1,780 mm
- C. Overall Height Stowed: 2,360 mm
- D. Wheel Base 2,130 mm
- E. Ground Clearance 170 mm

PLATFORM:

- F. Max Platform Height: 7,350 mm
- G. Platform Width: 1,780 mm
- H. Platform Length: 3,200 mm
- I. Platform Deck Extension: 1,000 mm

OPERATION:

- Platform Capacity: (SWL) 570 kg
- Operating Weight: 2,449 kg
- Power Source 8 x 12V batteries



MAXIMUM PLATFORM CAPACITY		LOAD DISTRIBUTION	
MODEL	STANDARD PLATFORM (or optional slide deck retracted)	PLATFORM WITH OPTIONAL SLIDE DECK EXTENDED	
		LOAD CAPACITY ON PLATFORM	LOAD CAPACITY ON EXTENSION DECK
V-2470	570 kg	435 kg	135 kg