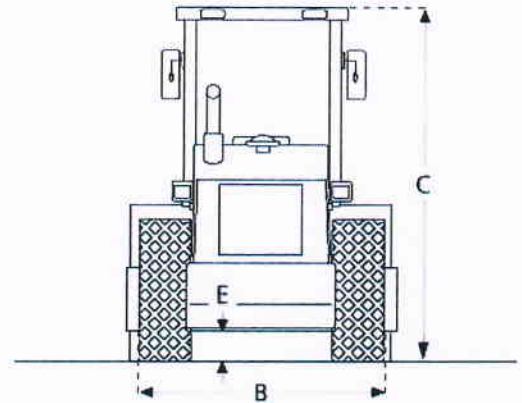
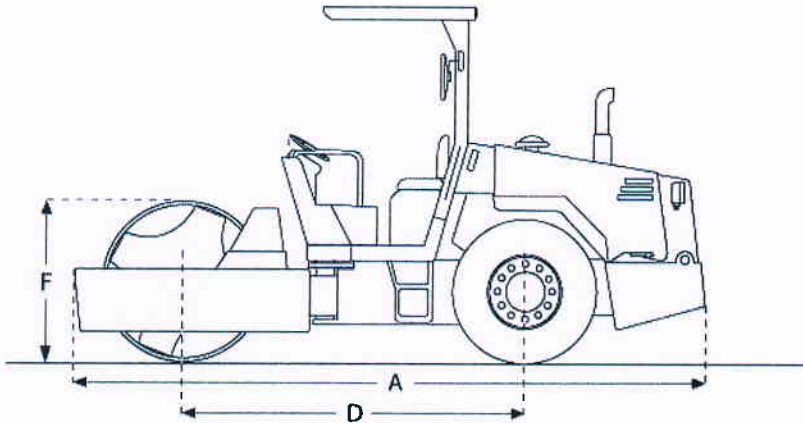




Daniel Smith Industries Ltd
 315 Flaxton Road, Rangiora, 7400
 Canterbury, New Zealand.
 Phone: 0064 (0) 3 313 9902
 Fax: 0064 (0) 3 313 9904
 Mobile 0064 (0) 21 33 66 23
 Email: daniel@danielsmith.co.nz

Ingersoll Rand

DD-24
Vibratory drum roller



Dimensions

A. OVERALL LENGTH	7.9 ft in	2420 mm
B. OVERALL WIDTH	4.2 ft in	1290 mm
C. HEIGHT TO TOP OF CAB	8.6 ft in	2621 mm
D. WHEELBASE	5.6 ft in	1720 mm

Specification

Engine

MAKE	Cummins	
MODEL	A1700	
NET POWER	32 hp	23.9 kw

Operational

OPERATING WEIGHT	5725 lb	2596.8 kg
FUEL CAPACITY	10.6 gal	40.1 L
HYDRAULIC SYSTEM FLUID CAPACITY	7.1 gal	26.9 L
MAX SPEED	6.2 mph	10 km/h
OPERATING VOLTAGE	12 V	
ALTERNATOR SUPPLIED AMPERAGE	45 amps	

Drum

DRUM WIDTH	47.2 in	1200 mm
DRUM DIAMETER	27.6 in	700 mm
VIBRATION FREQUENCY 1	55 Hz	
NOMINAL AMPLITUDE - MED	0.02 in	0.53 mm
CENTRIFUGAL FORCE - HIGH	8992.4 lb	40 kN
CENTRIFUGAL FORCE - LOW	6294.7 lb	28 kN
VIBRATION FREQUENCY 2	67 Hz	
NOMINAL AMPLITUDE - MED	0.02 in	0.53 mm
CENTRIFUGAL FORCE - HIGH	8992.4 lb	40 kN
CENTRIFUGAL FORCE - LOW	6294.7 lb	28 kN

Dimensions

OVERALL LENGTH	7.9 ft in	2420 mm
OVERALL WIDTH	4.2 ft in	1290 mm
HEIGHT TO TOP OF CAB	8.6 ft in	2621 mm
WHEELBASE	5.6 ft in	1720 mm

